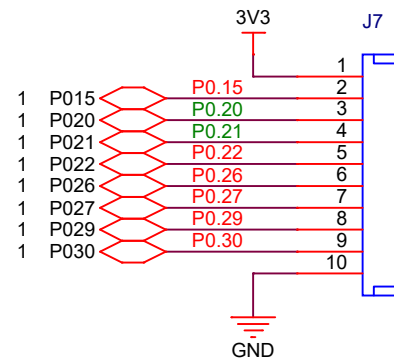
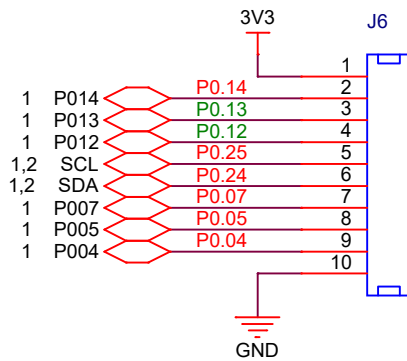
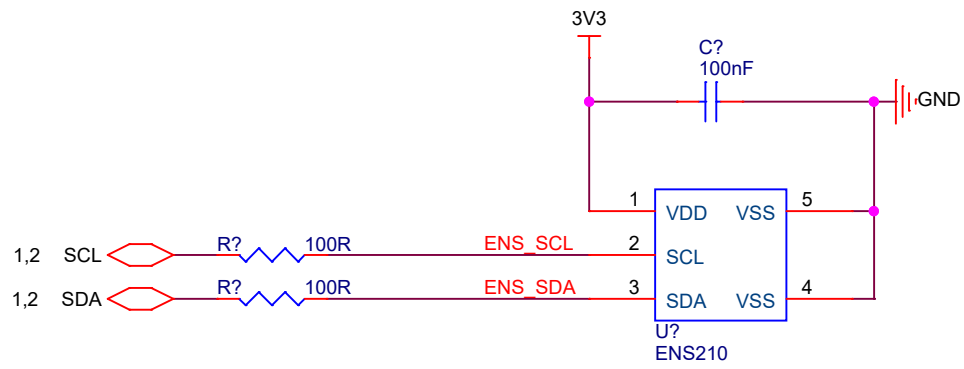


FANSTEL Corporation.

Title		
SE840F-210		
Size	Document Number	Rev
B	MAIN	1.2
Date:	Monday, November 11, 2019	Sheet 1 of 2



FANSTEL Corporation.

Title

SE840F-210

Size
A

Document Number

Sensors

Rev
1.0

Date: Monday, November 11, 2019

Sheet 2 of 2